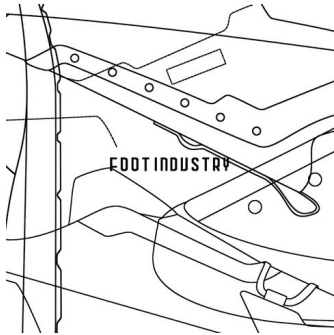


See you on market place [www.manwomanshows.com](http://www.manwomanshows.com)



**Foot Industry** powered by Ashimoto Kogyo Inc. The company was development of footwear products mainly in Japan. The brand always adheres to the design concept of “taking the essence, abandoning the dross and putting people first”, and building every product with the idea of combining high-quality materials, technology and life.

**Stockist :**

Europe : Level One – Spain / Labclo – United Kingdom

USA : Ubiq Walnut / Politix Studio ...

Asia : Dover Street Market – China / T. Kingston Street – China / Yoho! – China...

Japan : Nubian / Studios/ Best packing / Kawano / Fan / Cannabis....

[www.footindustry.jp](http://www.footindustry.jp)

Mr Hiroi

@ foot\_industry

[hiroi@footindustry.jp](mailto:hiroi@footindustry.jp)